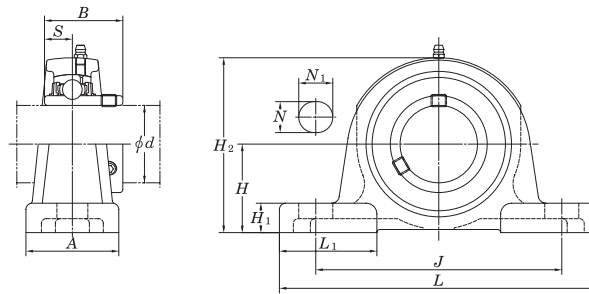


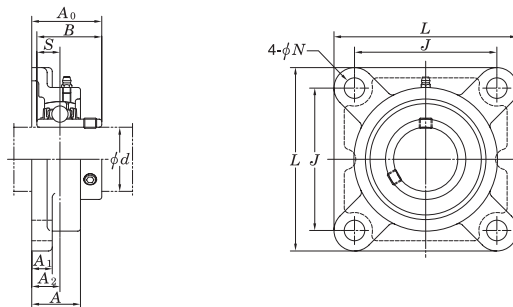
## UCP 200



d 12~90mm

| Shaft Dia<br>mm | Unit No. | Boundary dimensions<br>mm |     |     |    |    |                |                |                |      |      | Bolt size<br>mm | Insert<br>No. | Housing<br>No. | Mass<br>kg<br>(approx.) |
|-----------------|----------|---------------------------|-----|-----|----|----|----------------|----------------|----------------|------|------|-----------------|---------------|----------------|-------------------------|
|                 |          | H                         | L   | J   | A  | N  | N <sub>1</sub> | H <sub>1</sub> | H <sub>2</sub> | B    | S    |                 |               |                |                         |
| 12              | UCP 201  | 30.2                      | 127 | 95  | 38 | 13 | 19             | 15             | 62             | 31.0 | 12.7 | M 10            | UC 201        | P 203          | 0.65                    |
| 15              | UCP 202  | 30.2                      | 127 | 95  | 38 | 13 | 19             | 15             | 62             | 31.0 | 12.7 | M 10            | UC 202        | P 203          | 0.63                    |
| 17              | UCP 203  | 30.2                      | 127 | 95  | 38 | 13 | 19             | 15             | 62             | 31.0 | 12.7 | M 10            | UC 203        | P 203          | 0.62                    |
| 20              | UCP 204  | 33.3                      | 127 | 95  | 38 | 13 | 19             | 15             | 65             | 31.0 | 12.7 | M 10            | UC 204        | P 204          | 0.65                    |
| 25              | UCP 205  | 36.5                      | 140 | 105 | 38 | 13 | 16             | 16             | 70             | 34.1 | 14.3 | M 10            | UC 205        | P 205          | 0.79                    |
| 30              | UCP 206  | 42.9                      | 165 | 121 | 48 | 17 | 21             | 18             | 83             | 38.1 | 15.9 | M 14            | UC 206        | P 206          | 1.26                    |
| 35              | UCP 207  | 47.6                      | 167 | 127 | 48 | 17 | 21             | 19             | 94             | 42.9 | 17.5 | M 14            | UC 207        | P 207          | 1.59                    |
| 40              | UCP 208  | 49.2                      | 184 | 137 | 54 | 17 | 25             | 19             | 100            | 49.2 | 19.0 | M 14            | UC 208        | P 208          | 1.92                    |
| 45              | UCP 209  | 54.0                      | 190 | 146 | 54 | 17 | 22             | 20             | 108            | 49.2 | 19.0 | M 14            | UC 209        | P 209          | 2.19                    |
| 50              | UCP 210  | 57.2                      | 206 | 159 | 60 | 20 | 25             | 22             | 114            | 51.6 | 19.0 | M 16            | UC 210        | P 210          | 2.59                    |
| 55              | UCP 211  | 63.5                      | 219 | 171 | 60 | 20 | 25             | 22             | 126            | 55.6 | 22.2 | M 16            | UC 211        | P 211          | 3.30                    |
| 60              | UCP 212  | 69.8                      | 241 | 184 | 70 | 20 | 25             | 25             | 138            | 65.1 | 25.4 | M 16            | UC 212        | P 212          | 4.70                    |
| 65              | UCP 213  | 76.2                      | 265 | 203 | 70 | 25 | 29             | 27             | 150            | 65.1 | 25.4 | M 20            | UC 213        | P 213          | 5.60                    |
| 70              | UCP 214  | 79.4                      | 266 | 210 | 72 | 25 | 31             | 27             | 156            | 74.6 | 30.2 | M 20            | UC 214        | P 214          | 7.30                    |
| 75              | UCP 215  | 82.6                      | 275 | 217 | 74 | 25 | 31             | 28             | 163            | 77.8 | 33.3 | M 20            | UC 215        | P 215          | 7.90                    |
| 80              | UCP 216  | 88.9                      | 292 | 232 | 78 | 25 | 31             | 30             | 175            | 82.6 | 33.3 | M 20            | UC 216        | P 216          | 10.00                   |
| 85              | UCP 217  | 95.2                      | 310 | 247 | 83 | 25 | 31             | 32             | 187            | 85.7 | 34.1 | M 20            | UC 217        | P 217          | 12.20                   |
| 90              | UCP 218  | 101.6                     | 327 | 262 | 88 | 27 | 33             | 34             | 200            | 96.0 | 39.7 | M 22            | UC 218        | P 218          | 14.70                   |

## UCF 200



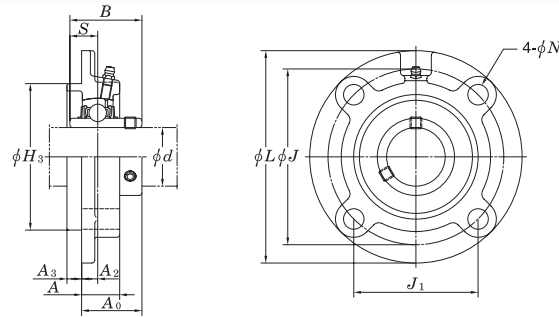
d 12~90mm

| Shaft Dia<br>mm | Unit No. | Boundary dimensions<br>mm |     |                |                |      |    |                |      |      | Bolt size<br>mm | Insert<br>No. | Housing<br>No. | Mass<br>kg<br>(approx.) |
|-----------------|----------|---------------------------|-----|----------------|----------------|------|----|----------------|------|------|-----------------|---------------|----------------|-------------------------|
|                 |          | L                         | J   | A <sub>2</sub> | A <sub>1</sub> | A    | N  | A <sub>0</sub> | B    | S    |                 |               |                |                         |
| 12              | UCF 201  | 86                        | 64  | 15             | 12             | 25.5 | 12 | 33.3           | 31.0 | 12.7 | M 10            | UC 201        | F 204          | 0.63                    |
| 15              | UCF 202  | 86                        | 64  | 15             | 12             | 25.5 | 12 | 33.3           | 31.0 | 12.7 | M 10            | UC 202        | F 204          | 0.61                    |
| 17              | UCF 203  | 86                        | 64  | 15             | 12             | 25.5 | 12 | 33.3           | 31.0 | 12.7 | M 10            | UC 203        | F 204          | 0.60                    |
| 20              | UCF 204  | 86                        | 64  | 15             | 12             | 25.5 | 12 | 33.3           | 31.0 | 12.7 | M 10            | UC 204        | F 204          | 0.58                    |
| 25              | UCF 205  | 95                        | 70  | 16             | 14             | 27.0 | 12 | 35.8           | 34.1 | 14.3 | M 10            | UC 205        | F 205          | 0.72                    |
| 30              | UCF 206  | 108                       | 83  | 18             | 14             | 31.0 | 12 | 40.2           | 38.1 | 15.9 | M 10            | UC 206        | F 206          | 1.01                    |
| 35              | UCF 207  | 117                       | 92  | 19             | 16             | 34.0 | 14 | 44.4           | 42.9 | 17.5 | M 12            | UC 207        | F 207          | 1.38                    |
| 40              | UCF 208  | 130                       | 102 | 21             | 16             | 36.0 | 16 | 51.2           | 49.2 | 19.0 | M 14            | UC 208        | F 208          | 1.77                    |
| 45              | UCF 209  | 137                       | 105 | 22             | 18             | 38.0 | 16 | 52.2           | 49.2 | 19.0 | M 14            | UC 209        | F 209          | 2.07                    |
| 50              | UCF 210  | 143                       | 111 | 22             | 18             | 40.0 | 16 | 54.6           | 51.6 | 19.0 | M 14            | UC 210        | F 210          | 2.36                    |
| 55              | UCF 211  | 162                       | 130 | 25             | 20             | 43.0 | 19 | 58.4           | 55.6 | 22.2 | M 16            | UC 211        | F 211          | 3.40                    |
| 60              | UCF 212  | 175                       | 143 | 29             | 20             | 48.0 | 19 | 68.7           | 65.1 | 25.4 | M 16            | UC 212        | F 212          | 4.02                    |
| 65              | UCF 213  | 187                       | 149 | 30             | 20             | 50.0 | 19 | 69.7           | 65.1 | 25.4 | M 16            | UC 213        | F 213          | 4.98                    |
| 70              | UCF 214  | 193                       | 152 | 31             | 24             | 54.0 | 19 | 75.4           | 74.6 | 30.2 | M 16            | UC 214        | F 214          | 5.56                    |
| 75              | UCF 215  | 200                       | 159 | 34             | 24             | 56.0 | 19 | 78.5           | 77.8 | 33.3 | M 16            | UC 215        | F 215          | 6.22                    |
| 80              | UCF 216  | 208                       | 165 | 34             | 24             | 58.0 | 23 | 83.3           | 82.6 | 33.3 | M 20            | UC 216        | F 216          | 7.48                    |
| 85              | UCF 217  | 220                       | 175 | 36             | 26             | 63.0 | 23 | 87.6           | 85.7 | 34.1 | M 20            | UC 217        | F 217          | 8.77                    |
| 90              | UCF 218  | 235                       | 187 | 40             | 26             | 68.0 | 23 | 96.3           | 96.0 | 39.7 | M 20            | UC 218        | F 218          | 10.74                   |

# Pillow Block Units



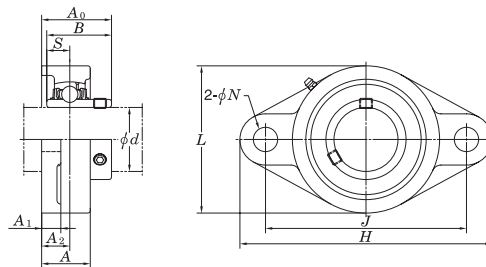
## UCFC 200



d 12~90mm

| Shaft Dia<br>mm | Unit No. | Boundary dimensions<br>mm |     |                |                |    |                |                |      |                |                |      | Bolt size<br>No. | Insert<br>No. | Housing<br>No. | Mass<br>kg<br>(approx.) |       |
|-----------------|----------|---------------------------|-----|----------------|----------------|----|----------------|----------------|------|----------------|----------------|------|------------------|---------------|----------------|-------------------------|-------|
|                 |          | H                         | J   | J <sub>1</sub> | A <sub>2</sub> | N  | A <sub>3</sub> | A <sub>1</sub> | A    | H <sub>3</sub> | A <sub>0</sub> | B    |                  |               |                |                         | S     |
| 12              | UCFC 201 | 100                       | 78  | 55.1           | 10             | 12 | 5              | 7              | 20.5 | 62             | 28.3           | 31.0 | 12.7             | M 10          | UC 201         | FC 204                  | 0.89  |
| 15              | UCFC 202 | 100                       | 78  | 55.1           | 10             | 12 | 5              | 7              | 20.5 | 62             | 28.3           | 31.0 | 12.7             | M 10          | UC 202         | FC 204                  | 0.87  |
| 17              | UCFC 203 | 100                       | 78  | 55.1           | 10             | 12 | 5              | 7              | 20.5 | 62             | 28.3           | 31.0 | 12.7             | M 10          | UC 203         | FC 204                  | 0.86  |
| 20              | UCFC 204 | 100                       | 78  | 55.1           | 10             | 12 | 5              | 7              | 20.5 | 62             | 28.3           | 31.0 | 12.7             | M 10          | UC 204         | FC 204                  | 0.84  |
| 25              | UCFC 205 | 115                       | 90  | 63.6           | 10             | 12 | 6              | 7              | 21.0 | 70             | 29.8           | 34.1 | 14.3             | M 10          | UC 205         | FC 205                  | 0.97  |
| 30              | UCFC 206 | 125                       | 100 | 70.7           | 10             | 12 | 8              | 8              | 23.0 | 80             | 32.2           | 38.1 | 15.9             | M 10          | UC 206         | FC 206                  | 1.18  |
| 35              | UCFC 207 | 135                       | 110 | 77.8           | 11             | 14 | 8              | 9              | 26.0 | 90             | 36.4           | 42.9 | 17.5             | M 12          | UC 207         | FC 207                  | 1.55  |
| 40              | UCFC 208 | 145                       | 120 | 84.8           | 11             | 14 | 10             | 9              | 26.0 | 100            | 41.2           | 49.2 | 19.0             | M 12          | UC 208         | FC 208                  | 1.85  |
| 45              | UCFC 209 | 160                       | 132 | 93.3           | 10             | 16 | 12             | 14             | 26.0 | 105            | 40.2           | 49.2 | 19.0             | M 14          | UC 209         | FC 209                  | 2.42  |
| 50              | UCFC 210 | 165                       | 138 | 97.6           | 10             | 16 | 12             | 14             | 28.0 | 110            | 42.6           | 51.6 | 19.0             | M 14          | UC 210         | FC 210                  | 2.71  |
| 55              | UCFC 211 | 185                       | 150 | 106.1          | 13             | 19 | 12             | 15             | 31.0 | 125            | 46.4           | 55.6 | 22.2             | M 16          | UC 211         | FC 211                  | 3.90  |
| 60              | UCFC 212 | 195                       | 160 | 113.1          | 17             | 19 | 12             | 15             | 36.0 | 135            | 56.7           | 65.1 | 25.4             | M 16          | UC 212         | FC212                   | 4.55  |
| 65              | UCFC 213 | 205                       | 170 | 120.2          | 16             | 19 | 14             | 15             | 36.0 | 145            | 55.7           | 65.1 | 25.4             | M 16          | UC 213         | FC 213                  | 5.11  |
| 70              | UCFC 214 | 215                       | 177 | 125.1          | 17             | 19 | 14             | 18             | 40.0 | 150            | 61.4           | 74.6 | 30.2             | M 16          | UC 214         | FC 214                  | 6.40  |
| 75              | UCFC 215 | 220                       | 184 | 130.1          | 18             | 19 | 16             | 18             | 40.0 | 160            | 62.5           | 77.8 | 33.3             | M 16          | UC 215         | FC 215                  | 6.92  |
| 80              | UCFC 216 | 240                       | 200 | 141.4          | 18             | 23 | 16             | 18             | 42.0 | 170            | 67.3           | 82.6 | 33.3             | M 20          | UC 216         | FC 216                  | 8.60  |
| 85              | UCFC 217 | 250                       | 208 | 147.1          | 18             | 23 | 18             | 20             | 45.0 | 180            | 69.6           | 85.7 | 34.1             | M 20          | UC 217         | FC 217                  | 9.83  |
| 90              | UCFC 218 | 265                       | 220 | 155.5          | 22             | 23 | 18             | 20             | 50.0 | 190            | 78.3           | 96.0 | 39.7             | M 20          | UC 218         | FC 218                  | 12.24 |

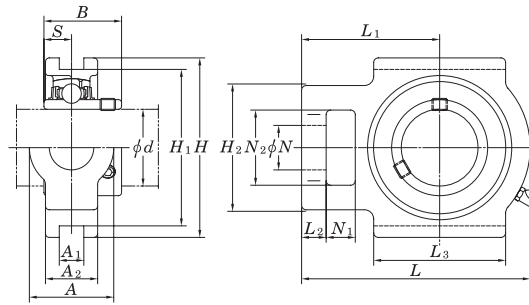
## UCFL 200



d 12~90mm

| Shaft Dia<br>mm | Unit No. | Boundary dimensions<br>mm |     |                |                |      |    |     |                |      |      | Bolt size<br>mm | Insert<br>No. | Housing<br>No. | Mass<br>kg<br>(approx.) |
|-----------------|----------|---------------------------|-----|----------------|----------------|------|----|-----|----------------|------|------|-----------------|---------------|----------------|-------------------------|
|                 |          | H                         | J   | A <sub>2</sub> | A <sub>1</sub> | A    | N  | L   | A <sub>0</sub> | B    | S    |                 |               |                |                         |
| 12              | UCFL 201 | 113                       | 90  | 15             | 12             | 25.5 | 12 | 60  | 33.3           | 31.0 | 12.7 | M 10            | UC 201        | FL 204         | 0.47                    |
| 15              | UCFL 202 | 113                       | 90  | 15             | 12             | 25.5 | 12 | 60  | 33.3           | 31.0 | 12.7 | M 10            | UC 202        | FL 204         | 0.45                    |
| 17              | UCFL 203 | 113                       | 90  | 15             | 12             | 25.5 | 12 | 60  | 33.3           | 31.0 | 12.7 | M 10            | UC 203        | FL 204         | 0.44                    |
| 20              | UCFL 204 | 113                       | 90  | 15             | 12             | 25.5 | 12 | 60  | 33.3           | 31.0 | 12.7 | M 10            | UC 204        | FL 204         | 0.42                    |
| 25              | UCFL 205 | 130                       | 99  | 16             | 14             | 27.0 | 16 | 68  | 35.8           | 34.1 | 14.3 | M 14            | UC 205        | FL 205         | 0.59                    |
| 30              | UCFL 206 | 148                       | 117 | 18             | 14             | 31.0 | 16 | 80  | 40.2           | 38.1 | 15.9 | M 14            | UC 206        | FL 206         | 0.90                    |
| 35              | UCFL 207 | 161                       | 130 | 19             | 16             | 34.0 | 16 | 90  | 44.4           | 42.9 | 17.5 | M 14            | UC 207        | FL 207         | 1.20                    |
| 40              | UCFL 208 | 175                       | 144 | 21             | 16             | 36.0 | 16 | 100 | 51.2           | 49.2 | 19.0 | M 14            | UC 208        | FL 208         | 1.51                    |
| 45              | UCFL 209 | 188                       | 148 | 22             | 18             | 38.0 | 19 | 108 | 52.2           | 49.2 | 19.0 | M 16            | UC 209        | FL 209         | 1.90                    |
| 50              | UCFL 210 | 197                       | 157 | 22             | 18             | 40.0 | 19 | 115 | 54.6           | 51.6 | 19.0 | M 16            | UC 210        | FL 210         | 2.20                    |
| 55              | UCFL 211 | 224                       | 184 | 25             | 20             | 43.0 | 19 | 130 | 58.4           | 55.6 | 22.2 | M 16            | UC 211        | FL 211         | 3.20                    |
| 60              | UCFL 212 | 250                       | 202 | 29             | 20             | 48.0 | 23 | 140 | 68.7           | 65.1 | 25.4 | M 20            | UC 212        | FL 212         | 4.10                    |
| 65              | UCFL 213 | 258                       | 210 | 30             | 24             | 50.0 | 23 | 155 | 69.7           | 65.1 | 25.4 | M 20            | UC 213        | FL 213         | 5.10                    |
| 70              | UCFL 214 | 265                       | 216 | 31             | 24             | 54.0 | 23 | 160 | 75.4           | 74.6 | 30.2 | M 20            | UC 214        | FL 214         | 6.00                    |
| 75              | UCFL 215 | 275                       | 225 | 34             | 24             | 56.0 | 23 | 165 | 78.5           | 77.8 | 33.3 | M 20            | UC 215        | FL 215         | 6.50                    |
| 80              | UCFL 216 | 290                       | 233 | 34             | 24             | 58.0 | 25 | 180 | 83.3           | 82.6 | 33.3 | M 22            | UC 216        | FL 216         | 8.00                    |
| 85              | UCFL 217 | 305                       | 248 | 36             | 26             | 63.0 | 25 | 190 | 87.6           | 85.7 | 34.1 | M 22            | UC 217        | FL 217         | 9.50                    |
| 90              | UCFL 218 | 320                       | 265 | 40             | 26             | 68.0 | 25 | 205 | 96.3           | 96.0 | 39.7 | M 22            | UC 218        | FL 218         | 11.90                   |

## UCT 200



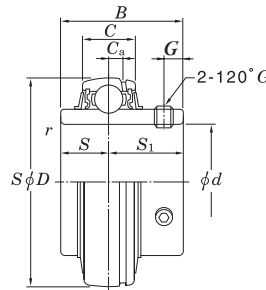
d 12~85mm

| Shaft Dia<br>mm | Unit No. | Boundary dimensions<br>mm |                |                |                |    |                |                |                |     |     |    |                |                |      |      | Insert<br>No. | Housing<br>No. | Mass<br>kg<br>(approx.) |
|-----------------|----------|---------------------------|----------------|----------------|----------------|----|----------------|----------------|----------------|-----|-----|----|----------------|----------------|------|------|---------------|----------------|-------------------------|
|                 |          | N                         | L <sub>2</sub> | H <sub>2</sub> | N <sub>2</sub> | N  | L <sub>3</sub> | A <sub>1</sub> | H <sub>1</sub> | H   | L   | A  | A <sub>2</sub> | L <sub>1</sub> | B    | S    |               |                |                         |
| 12              | UCT 201  | 16                        | 10             | 51             | 32             | 19 | 51             | 12             | 76             | 89  | 94  | 32 | 21             | 61             | 31.0 | 12.7 | UC 201        | T 204          | 0.79                    |
| 15              | UCT 202  | 16                        | 10             | 51             | 32             | 19 | 51             | 12             | 76             | 89  | 94  | 32 | 21             | 61             | 31.0 | 12.7 | UC 202        | T 204          | 0.77                    |
| 17              | UCT 203  | 16                        | 10             | 51             | 32             | 19 | 51             | 12             | 76             | 89  | 94  | 32 | 21             | 61             | 31.0 | 12.7 | UC 203        | T 204          | 0.76                    |
| 20              | UCT 204  | 16                        | 10             | 51             | 32             | 19 | 51             | 12             | 76             | 89  | 94  | 32 | 21             | 61             | 31.0 | 12.7 | UC 204        | T 204          | 0.74                    |
| 25              | UCT 205  | 16                        | 10             | 51             | 32             | 19 | 51             | 12             | 76             | 89  | 97  | 32 | 24             | 62             | 34.1 | 14.3 | UC 205        | T 205          | 0.82                    |
| 30              | UCT 206  | 16                        | 10             | 56             | 37             | 22 | 57             | 12             | 89             | 102 | 113 | 37 | 28             | 70             | 38.1 | 15.9 | UC 206        | T 206          | 1.30                    |
| 35              | UCT 207  | 16                        | 13             | 64             | 37             | 22 | 64             | 12             | 89             | 102 | 129 | 37 | 30             | 78             | 42.9 | 17.5 | UC 207        | T 207          | 1.60                    |
| 40              | UCT 208  | 19                        | 16             | 83             | 49             | 29 | 83             | 16             | 102            | 114 | 144 | 49 | 33             | 88             | 49.2 | 19.0 | UC 208        | T 208          | 2.40                    |
| 45              | UCT 209  | 19                        | 16             | 83             | 49             | 29 | 83             | 16             | 102            | 117 | 144 | 49 | 35             | 87             | 49.2 | 19.0 | UC 209        | T 209          | 2.40                    |
| 50              | UCT 210  | 19                        | 16             | 83             | 49             | 29 | 86             | 16             | 102            | 117 | 149 | 49 | 37             | 90             | 51.6 | 19.0 | UC 210        | T 210          | 2.50                    |
| 55              | UCT 211  | 25                        | 19             | 102            | 64             | 35 | 95             | 22             | 130            | 146 | 171 | 64 | 38             | 106            | 55.6 | 22.2 | UC 211        | T 211          | 4.00                    |
| 60              | UCT 212  | 32                        | 19             | 102            | 64             | 35 | 102            | 22             | 130            | 146 | 194 | 64 | 42             | 119            | 65.1 | 25.4 | UC 212        | T 212          | 5.10                    |
| 65              | UCT 213  | 32                        | 21             | 111            | 70             | 41 | 121            | 26             | 151            | 167 | 224 | 70 | 44             | 137            | 65.1 | 25.4 | UC 213        | T 213          | 7.00                    |
| 70              | UCT 214  | 32                        | 21             | 111            | 70             | 41 | 121            | 26             | 151            | 167 | 224 | 70 | 46             | 137            | 74.6 | 30.2 | UC 214        | T 214          | 7.10                    |
| 75              | UCT 215  | 32                        | 21             | 111            | 70             | 41 | 121            | 26             | 151            | 167 | 232 | 70 | 48             | 140            | 77.8 | 33.3 | UC 215        | T 215          | 7.50                    |
| 80              | UCT 216  | 32                        | 21             | 111            | 70             | 41 | 121            | 26             | 165            | 184 | 235 | 70 | 51             | 140            | 82.6 | 33.3 | UC 216        | T 216          | 8.50                    |
| 85              | UCT 217  | 38                        | 29             | 124            | 73             | 48 | 157            | 30             | 173            | 198 | 260 | 73 | 54             | 162            | 85.7 | 34.1 | UC 217        | T 217          | 11.20                   |

## Insert Ball Bearings

### UC 200

### Metric series



d 12~90mm

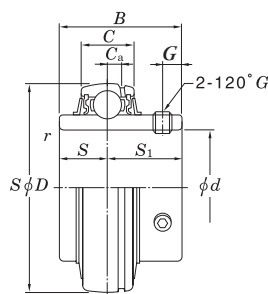
| Bearing No. | Boundary dimensions<br>mm |     |      |    |     |      |                |      |                |                |                | Basic load ratings |              |                |               | Mass<br>kg<br>(approx.) |
|-------------|---------------------------|-----|------|----|-----|------|----------------|------|----------------|----------------|----------------|--------------------|--------------|----------------|---------------|-------------------------|
|             | d                         | D   | B    | C  | r   | S    | S <sub>1</sub> | G    | d <sub>s</sub> | C <sub>a</sub> | d <sub>4</sub> | dynamic<br>kN      | static<br>kN | dynamic<br>kgf | static<br>kgf |                         |
| UC201       | 12                        | 47  | 31.0 | 17 | 1.0 | 12.7 | 18.3           | 4.5  | M6X0.75        | 4.5            | 29.0           | 12.8               | 6.6          | 1,300          | 670           | 0.21                    |
| UC202       | 15                        | 47  | 31.0 | 17 | 1.0 | 12.7 | 18.3           | 4.5  | M6X0.75        | 4.5            | 29.0           | 12.8               | 6.6          | 1,300          | 670           | 0.19                    |
| UC203       | 17                        | 47  | 31.0 | 17 | 1.0 | 12.7 | 18.3           | 4.5  | M6X0.75        | 4.5            | 29.0           | 12.8               | 6.6          | 1,300          | 670           | 0.18                    |
| UC204       | 20                        | 47  | 31.0 | 17 | 1.5 | 12.7 | 18.3           | 4.5  | M6X0.75        | 4.5            | 29.0           | 12.8               | 6.6          | 1,300          | 670           | 0.16                    |
| UC205       | 25                        | 52  | 34.1 | 17 | 1.5 | 14.3 | 19.8           | 5.0  | M6X0.75        | 4.5            | 34.0           | 14.0               | 7.9          | 1,420          | 800           | 0.19                    |
| UC206       | 30                        | 62  | 38.1 | 19 | 1.5 | 15.9 | 22.2           | 5.0  | M6X0.75        | 5.1            | 40.5           | 19.6               | 11.3         | 2,000          | 1,150         | 0.31                    |
| UC207       | 35                        | 72  | 42.9 | 20 | 2.0 | 17.5 | 25.4           | 6.0  | M8X1           | 5.8            | 48.0           | 25.9               | 15.4         | 2,640          | 1,550         | 0.48                    |
| UC208       | 40                        | 80  | 49.2 | 21 | 2.0 | 19.0 | 30.2           | 8.0  | M8X1           | 6.2            | 53.0           | 29.3               | 17.9         | 2,980          | 1,820         | 0.62                    |
| UC209       | 45                        | 85  | 49.2 | 22 | 2.0 | 19.0 | 30.2           | 8.0  | M8X1           | 6.5            | 57.3           | 33.0               | 20.5         | 3,350          | 2,090         | 0.67                    |
| UC210       | 50                        | 90  | 51.6 | 23 | 2.0 | 19.0 | 32.6           | 9.0  | M10X1.25       | 6.5            | 63.0           | 35.5               | 23.2         | 3,600          | 2,360         | 0.78                    |
| UC211       | 55                        | 100 | 55.6 | 24 | 2.5 | 22.2 | 33.4           | 9.0  | M10X1.25       | 7.3            | 70.0           | 43.0               | 29.4         | 4,350          | 3,000         | 1.03                    |
| UC212       | 60                        | 110 | 65.1 | 26 | 2.5 | 25.4 | 39.7           | 10.0 | M10X1.25       | 7.7            | 77.0           | 52.5               | 36.1         | 5,350          | 3,680         | 1.45                    |
| UC213       | 65                        | 120 | 65.1 | 27 | 2.5 | 25.4 | 39.7           | 10.0 | M10X1.25       | 8.3            | 82.1           | 57.5               | 40.0         | 5,850          | 4,080         | 1.71                    |
| UC214       | 70                        | 125 | 74.6 | 29 | 2.5 | 30.2 | 44.4           | 12.0 | M12X1.5        | 8.7            | 87.0           | 62.0               | 44.0         | 6,300          | 4,480         | 2.06                    |
| UC215       | 75                        | 130 | 77.8 | 30 | 2.5 | 33.3 | 44.5           | 14.0 | M12X1.5        | 9.2            | 91.5           | 66.0               | 48.2         | 6,700          | 4,910         | 2.22                    |
| UC216       | 80                        | 140 | 82.6 | 32 | 3.0 | 33.3 | 49.3           | 14.0 | M12X1.5        | 9.6            | 98.5           | 72.5               | 53.0         | 7,400          | 5,400         | 2.82                    |
| UC217       | 85                        | 150 | 85.7 | 34 | 3.0 | 34.1 | 51.6           | 14.0 | M12X1.5        | 10.5           | 105.0          | 83.5               | 61.8         | 8,500          | 6,300         | 3.38                    |
| UC218       | 90                        | 160 | 96.0 | 36 | 3.0 | 39.7 | 56.3           | 15.0 | M12X1.5        | 11.1           | 111.5          | 95.5               | 71.4         | 9,750          | 7,280         | 4.34                    |

# Insert Ball Bearings



## UC 200

### Inch series



d 1/2 ~ 3 1/2 inch

| Bearing No. | Shaft dia inch | Boundary dimensions mm |        |        |        |        |        |                |         | Basic load ratings   |                |                |                   | Mass kg (approx.) |                        |                        |
|-------------|----------------|------------------------|--------|--------|--------|--------|--------|----------------|---------|----------------------|----------------|----------------|-------------------|-------------------|------------------------|------------------------|
|             |                | d                      | D      | B      | C      | r      | S      | S <sub>1</sub> | G       | d <sub>s</sub> (UNF) | C <sub>a</sub> | d <sub>4</sub> | C <sub>r</sub> kN |                   | C <sub>or</sub> static | C <sub>r</sub> dynamic |
| UC202-8     | 1/2            | 1.8504                 | 1.2200 | 0.6690 | 0.0390 | 0.5000 | 0.7200 | 0.1770         | 1/4-28  | 0.1770               | 1.1420         | 12.8           | 6.6               | 1,300             | 670                    | 0.21                   |
| UC202-10    | 5/8            | 1.8504                 | 1.2200 | 0.6690 | 0.0390 | 0.5000 | 0.7200 | 0.1770         | 1/4-28  | 0.1770               | 1.1420         | 12.8           | 6.6               | 1,300             | 670                    | 0.19                   |
| UC203-11    | 11/16          | 1.8504                 | 1.2200 | 0.6690 | 0.0390 | 0.5000 | 0.7200 | 0.1770         | 1/4-28  | 0.1770               | 1.1420         | 12.8           | 6.6               | 1,300             | 670                    | 0.18                   |
| UC204-12    | 3/4            | 1.8504                 | 1.2200 | 0.6690 | 0.0590 | 0.5000 | 0.7200 | 0.1770         | 1/4-28  | 0.1770               | 1.1420         | 12.8           | 6.6               | 1,300             | 670                    | 0.16                   |
| UC205-14    | 7/8            | 2.0472                 | 1.3420 | 0.6690 | 0.0590 | 0.5630 | 0.7800 | 0.1970         | 1/4-28  | 0.1770               | 1.3390         | 14.0           | 7.9               | 1,420             | 800                    | 0.19                   |
| UC205-16    | 1              | 2.0472                 | 1.3420 | 0.6690 | 0.0590 | 0.5630 | 0.7800 | 0.1970         | 1/4-28  | 0.1770               | 1.3390         | 14.0           | 7.9               | 1,420             | 800                    | 0.19                   |
| UC206-18    | 1 1/8          | 2.4409                 | 1.5000 | 0.7480 | 0.0590 | 0.6260 | 0.8740 | 0.1970         | 1/4-28  | 0.2010               | 1.5940         | 19.6           | 11.3              | 2,000             | 1,150                  | 0.31                   |
| UC206-19    | 1 3/16         | 2.4409                 | 1.5000 | 0.7480 | 0.0590 | 0.6260 | 0.8740 | 0.1970         | 1/4-28  | 0.2010               | 1.5940         | 19.6           | 11.3              | 2,000             | 1,150                  | 0.31                   |
| UC207-20    | 1 1/4          | 2.8346                 | 1.6890 | 0.7870 | 0.0790 | 0.6890 | 1.0000 | 0.2360         | 5/16-24 | 0.2280               | 1.8900         | 25.9           | 15.4              | 2,640             | 1,550                  | 0.48                   |
| UC207-21    | 1 5/16         | 2.8346                 | 1.6890 | 0.7870 | 0.0790 | 0.6890 | 1.0000 | 0.2360         | 5/16-24 | 0.2280               | 1.8900         | 25.9           | 15.4              | 2,640             | 1,550                  | 0.48                   |
| UC207-22    | 1 3/8          | 2.8346                 | 1.6890 | 0.7870 | 0.0790 | 0.6890 | 1.0000 | 0.2360         | 5/16-24 | 0.2280               | 1.8900         | 25.9           | 15.4              | 2,640             | 1,550                  | 0.48                   |
| UC207-23    | 1 7/16         | 2.8346                 | 1.6890 | 0.7870 | 0.0790 | 0.6890 | 1.0000 | 0.2360         | 5/16-24 | 0.2280               | 1.8900         | 25.9           | 15.4              | 2,640             | 1,550                  | 0.48                   |
| UC208-24    | 1 1/2          | 3.1496                 | 1.9370 | 0.8270 | 0.0790 | 0.7480 | 1.1890 | 0.3150         | 5/16-24 | 0.2440               | 2.0870         | 29.3           | 17.9              | 2,980             | 1,820                  | 0.62                   |
| UC209-26    | 1 5/8          | 3.3465                 | 1.9370 | 0.8660 | 0.0790 | 0.7480 | 1.1890 | 0.3150         | 5/16-24 | 0.2560               | 2.2560         | 33.0           | 20.5              | 3,350             | 2,090                  | 0.67                   |
| UC209-27    | 1 11/16        | 3.3465                 | 1.9370 | 0.8660 | 0.0790 | 0.7480 | 1.1890 | 0.3150         | 5/16-24 | 0.2560               | 2.2560         | 33.0           | 20.5              | 3,350             | 2,090                  | 0.67                   |
| UC209-28    | 1 3/4          | 3.3465                 | 1.9370 | 0.8660 | 0.0790 | 0.7480 | 1.1890 | 0.3150         | 5/16-24 | 0.2560               | 2.2560         | 33.0           | 20.5              | 3,350             | 2,090                  | 0.67                   |
| UC210-30    | 1 7/8          | 3.5433                 | 2.0310 | 0.9060 | 0.0790 | 0.7480 | 1.2830 | 0.3540         | 3/8-24  | 0.2560               | 2.4800         | 35.5           | 23.2              | 3,600             | 2,360                  | 0.78                   |
| UC210-31    | 1 15/16        | 3.5433                 | 2.0310 | 0.9060 | 0.0790 | 0.7480 | 1.2830 | 0.3540         | 3/8-24  | 0.2560               | 2.4800         | 35.5           | 23.2              | 3,600             | 2,360                  | 0.78                   |
| UC211-32    | 2              | 3.9370                 | 2.1890 | 0.9450 | 0.0980 | 0.8740 | 1.3150 | 0.3540         | 3/8-24  | 0.2870               | 2.7560         | 43.0           | 29.4              | 4,350             | 3,000                  | 1.03                   |
| UC211-35    | 2 3/16         | 3.9370                 | 2.1890 | 0.9450 | 0.0980 | 0.8740 | 1.3150 | 0.3540         | 3/8-24  | 0.2870               | 2.7560         | 43.0           | 29.4              | 4,350             | 3,000                  | 1.03                   |
| UC212-36    | 2 1/4          | 4.3307                 | 2.5630 | 1.0240 | 0.0980 | 1.0000 | 1.5630 | 0.3940         | 3/8-24  | 0.3030               | 3.0310         | 52.5           | 36.1              | 5,350             | 3,680                  | 1.45                   |
| UC212-38    | 2 3/8          | 4.3307                 | 2.5630 | 1.0240 | 0.0980 | 1.0000 | 1.5630 | 0.3940         | 3/8-24  | 0.3030               | 3.0310         | 52.5           | 36.1              | 5,350             | 3,680                  | 1.45                   |
| UC212-39    | 2 7/16         | 4.3307                 | 2.5630 | 1.0240 | 0.0980 | 1.0000 | 1.5630 | 0.3940         | 3/8-24  | 0.3030               | 3.0310         | 52.5           | 36.1              | 5,350             | 3,680                  | 1.45                   |
| UC213-40    | 2 1/2          | 4.7244                 | 2.5630 | 1.0630 | 0.0980 | 1.0000 | 1.5630 | 0.3940         | 3/8-24  | 0.3270               | 3.2320         | 57.5           | 40.0              | 5,850             | 4,080                  | 1.71                   |
| UC214-44    | 2 3/4          | 4.9213                 | 2.9370 | 1.1420 | 0.0980 | 1.1890 | 1.7480 | 0.4720         | 7/16-20 | 0.3430               | 3.4250         | 62.0           | 44.0              | 6,300             | 4,480                  | 2.06                   |
| UC215-48    | 3              | 5.1181                 | 3.0630 | 1.1810 | 0.0980 | 1.3110 | 1.7520 | 0.5510         | 7/16-20 | 0.3620               | 3.6020         | 66.0           | 48.2              | 6,700             | 4,910                  | 2.22                   |
| UC216-50    | 3 1/8          | 5.5118                 | 3.2520 | 1.2600 | 0.1180 | 1.3110 | 1.9410 | 0.5510         | 7/16-20 | 0.3780               | 3.8780         | 72.5           | 53.0              | 7,400             | 5,400                  | 2.82                   |
| UC217-52    | 3 1/4          | 5.9055                 | 3.3740 | 1.3390 | 0.1180 | 1.3430 | 2.0310 | 0.5510         | 7/16-20 | 0.4130               | 4.1340         | 83.5           | 61.8              | 8,500             | 6,300                  | 3.38                   |
| UC218-56    | 3 1/2          | 6.2992                 | 3.7800 | 1.4170 | 0.1180 | 1.5630 | 2.2170 | 0.5910         | 1/2-20  | 0.4370               | 4.3900         | 95.5           | 71.4              | 9,750             | 7,280                  | 4.34                   |